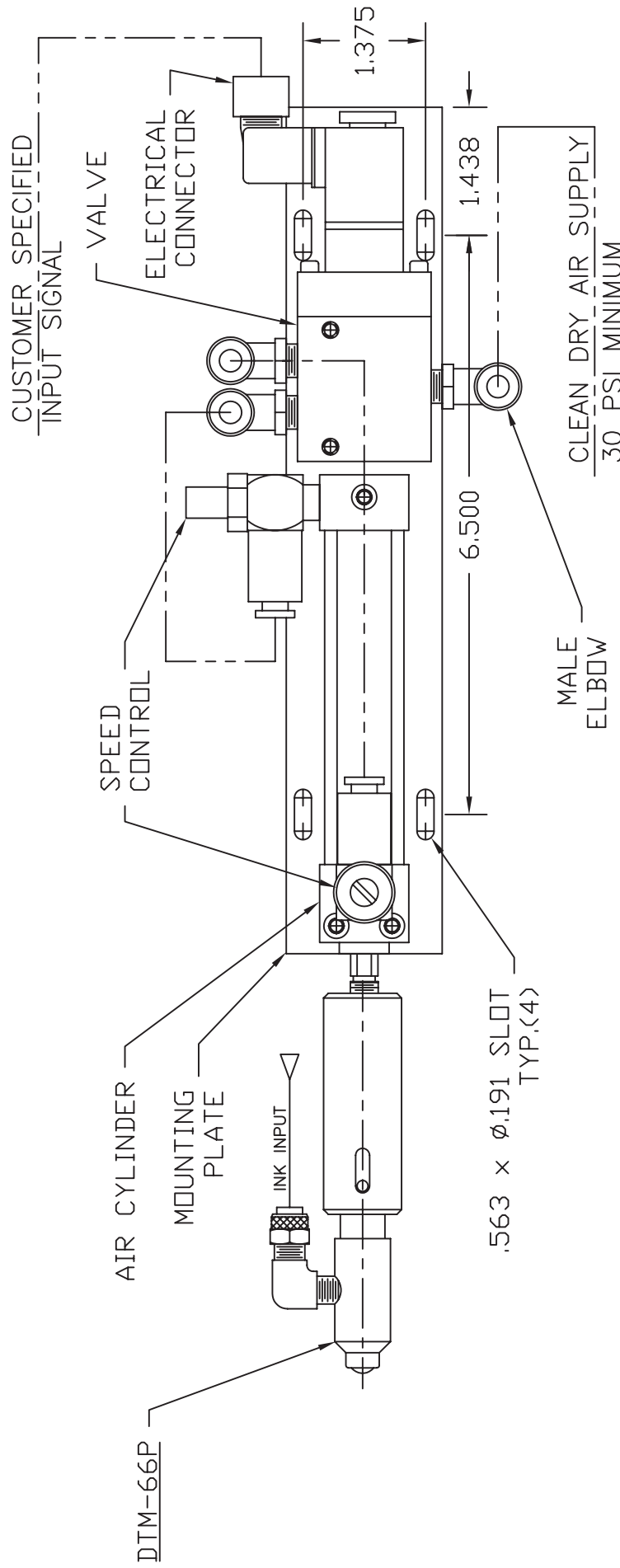



REVISIONS		DESCRIPTION	DATE	APPROVED
ZONE	REV			



NOTE:  
CANNOT BE MOUNTED HORIZONTALLY

 <p>DELL MARKING SYSTEMS INC. 721 WANDA FERNDALE, MICHIGAN 48220</p>		DESCRIPTION	DTMS-66P-3CYL-E3
		TOUCH MARKING SYSTEM	
DATE	N/A	ID NUMBER	
PART NUMBER	#####	SCALE	NONE

# FRO