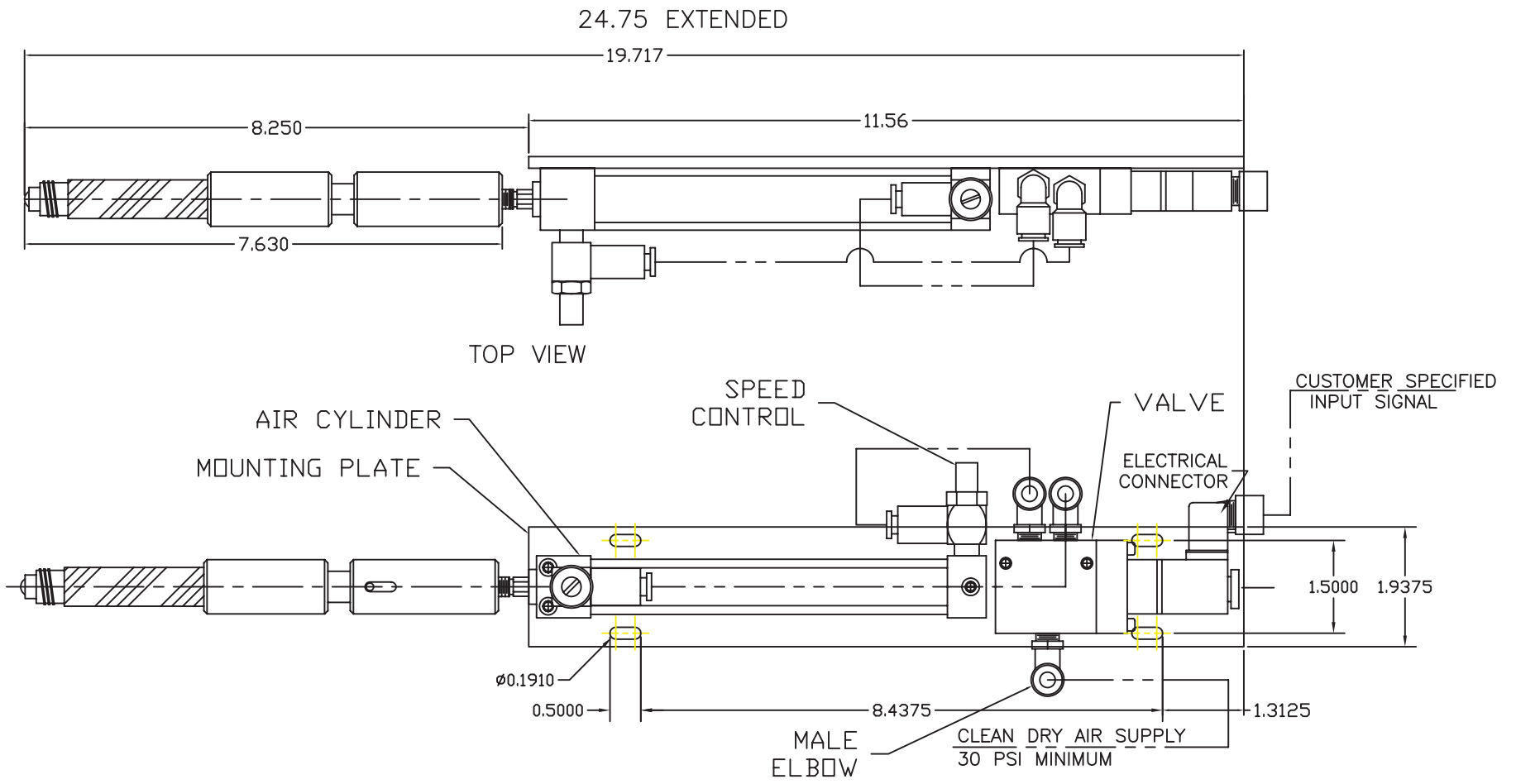


REVISIONS				
ZONE	REV	DESCRIPTION	DATE	APPROVED

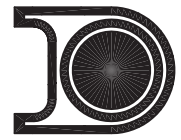


NOTE:  
CANNOT BE MOUNTED HORIZONTALLY  
7" OR 8" MINIMUM

**FRO**

DTM-55P  
TOUCH MARKER  
82048

*	STANDARD INPUT SIGNALS	CN NUMBER
E3	24 VDC	83148
E6	110 VAC	83149



DESCRIPTION		<i>DTMS-55P-5CYL-* TOUCH MARKING SYSTEM</i>	
		<i>5" STROKE</i>	
DATE	<i>N/A</i>	ID NUMBER	
PART NUMBER	<i>NOTED</i>		SCALE <i>NONE</i>

DELL MARKING SYSTEMS INC.  
721 WANDA  
FERDALE, MICHIGAN 48220