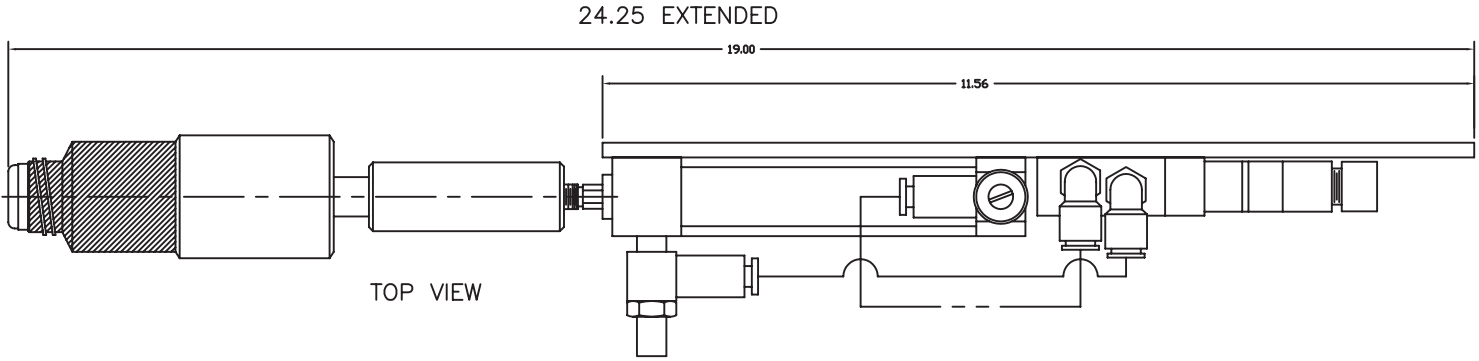
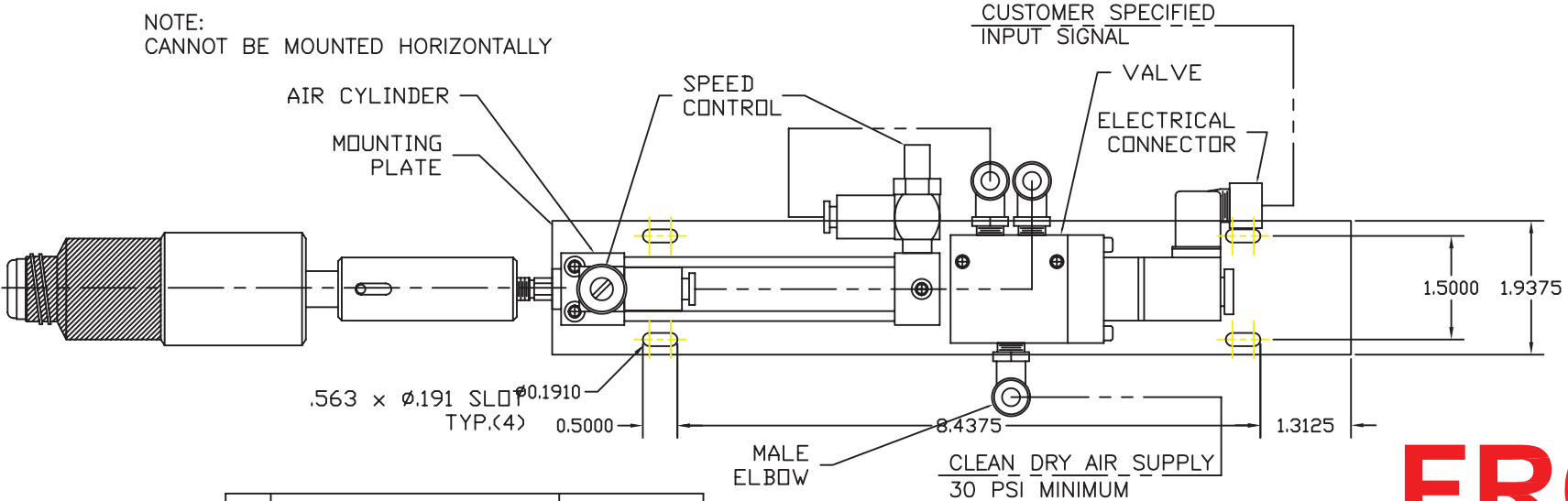


REVISIONS				
ZONE	REV	DESCRIPTION	DATE	APPROVED
	1	Corrected mtg. dims. for mtg. bracket	3/23/06	



TOP VIEW

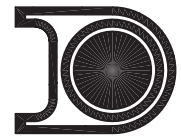
NOTE:
CANNOT BE MOUNTED HORIZONTALLY



FRO

DTM-165P
TOUCH MARKER
82057

*	STANDARD INPUT SIGNALS	CN NUMBER
E6	110 VAC	83152
E3	24 VAC	82374

 DELL MARKING SYSTEMS INC. 721 WANDA FERDALE, MICHIGAN 48220	DESCRIPTION		DTMS-165P-5CYL-* TOUCH MARKING SYSTEM	
			5" STROKE	
	DATE	N/A	ID NUMBER	
	PART NUMBER	NOTED	SCALE	NONE