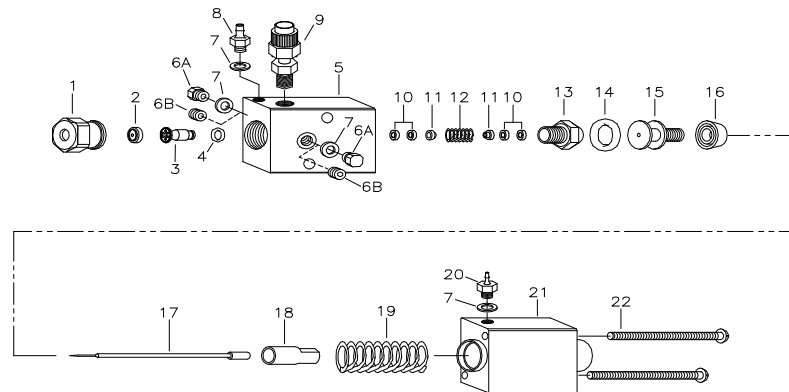


# DS-10 Micro-Mini Marker

## Parts List

ITEM	EQ #	PART DESCRIPTION	QUANTITY
1	1826	Hex Retainer Cap	1
2	1832	Air Cap	1
3	*	Fluid Nozzle	1
4	1827	"O" Ring Viton	1
5	1870	Body	1
6A	0441	10-32 Hex Plug	2
6B	1872	Plug Set Screw	2
7	4198	Gasket	4
8	4134	Male Fitting	1
9	1667	Male Connector	1
10	1829	Teflon Packing	4
11	1828	Packing Gland	2
12	1811	Packing Spring	1
13	1820	Packing Screw	1
14	1860	"O" Ring	1
15	1855	Piston Body	1
16	1856	Piston Seal	1
17	*	Clean-Out Needle	1
18	1857	Cap Nut	1
19	1858	Shut-Off Spring	1
20	4185	Male Fitting	1
21	1883	Power Chamber (AF)	1
22	1871	Screw SS	2

\*Items 3 & 17 available only in 5800 Replacement Kit – CN 82080



**DELL MARKING SYSTEMS, INC.**  
 721 Wanda • Ferndale MI 48220  
 248 547 7750 • FAX: 248 544 9115  
 www.dellid.com

ISO 9002:2000  
 Certified Company