

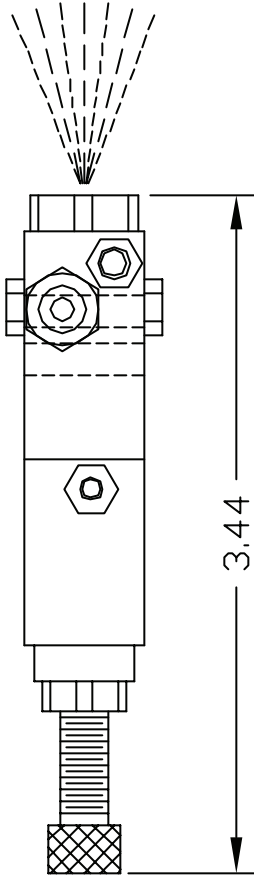
REVISIONS

DESCRIPTION

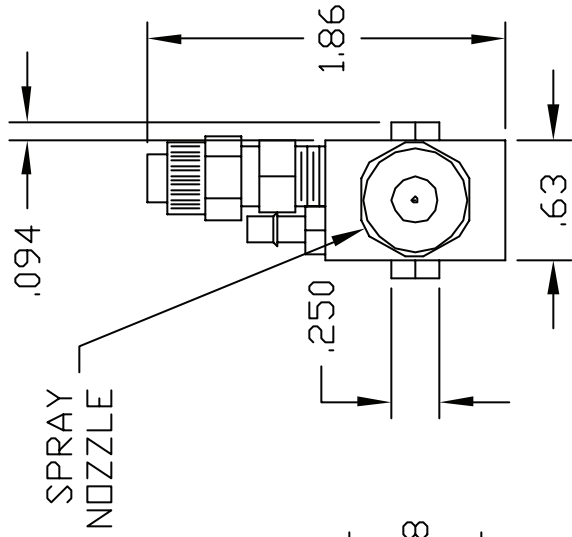
ZONE REV

DATE

APPROVED



3.44



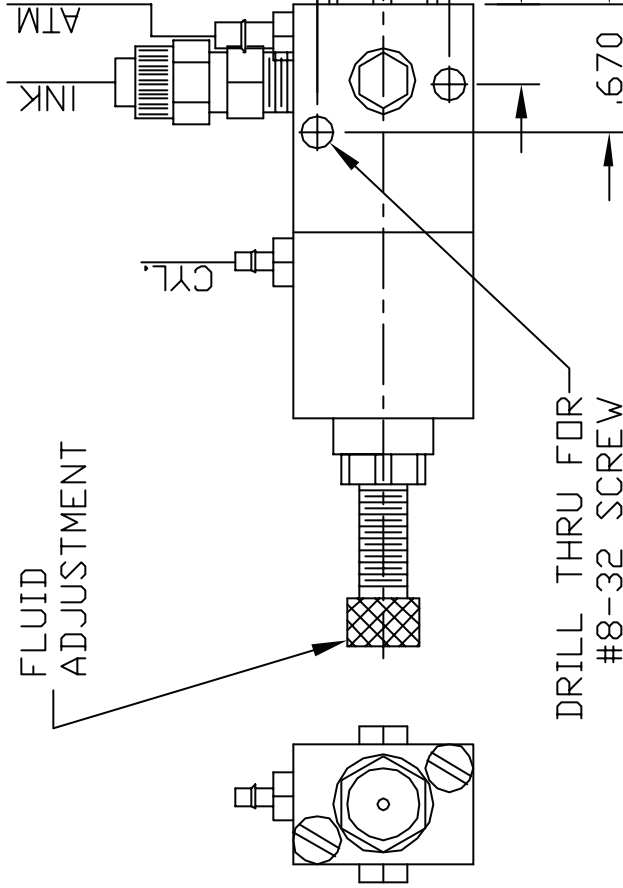
.094

SPRAY NOZZLE

1.86

.250

.63



ATM

INK

CYL.

FLUID ADJUSTMENT

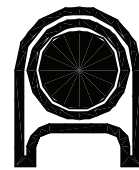
.344

.688

.420

.670

DRILL THRU FOR #8-32 SCREW (2) PLACES



DELL MARKING SYSTEMS INC.  
721 WANDA  
FERNDALE, MICHIGAN 48220

DESCRIPTION

DS-10-AF  
MICRO-MINI MARKER

MOUNTING DIMENSIONS

DATE

N/A

ID NUMBER

82125

PART NUMBER

SCALE

1:1

**FRO**